

VERTICAL SLIDING SECONDARY

The Product

Due to the characteristics of the existing primary window, the Balanced Vertical Slider is the most complex type of secondary glazing system. It is applied generally to older properties with traditional sash windows.

How it works

The individually pre-tensioned spiral spring balances control the motion of the sash, enabling infinite vertical positioning.

This design provides ease of movement and has been specially developed to withstand decades of wear and tear. Tilt in versions can be pivoted through almost 180 degrees.

This is especially useful for cleaning but just as importantly can be crucial when considering fire escape requirements.

All variations of our exclusive secondary glazing styles are completely compatible. Each type can be easily used with another no matter what the application may be.

Technical Specifications

Hardwood Sub-Frames

SIZES

21mm x 45mm Standard

21mm x 62mm Reveal fix

30mm x 30mm Bay Adaptor

Hardwood or PVCU Trims

SIZES

6mm x 21mm S.B.N.

6mm x 27mm S.B.N.

6mm x 37mm S.B.N.

6mm x 44mm S.B.N.

6mm x 55mm S.B.N.

6mm x 75mm S.B.N.

6mm x 15mm D.B.N.

6mm x 33mm D.B.N.

6mm x 43mm D.B.N.



Aluminium

Aluminium alloy extruded to exclusive designs from 6063T6 alloy to BS1474.

Finishes

Natural anodising to AA5 - BS 3987 Polyester Powder to BS 6496. Stock finishes in EP white/Van Dyke brown. High gloss finish. 60 microns. Other RAL colours upon request.

Glazing

In accordance with BS6206 for Safety Glazing requirements. Choices of 4mm or 6mm Clear Float, 4mm or 6mm Toughened, 6.4mm Laminated or Laminated Acoustic Glass for Noise Reduction as well as Low E glass for Thermal Efficiency.

Maximum Sizes

Width x Height with 4mm glass

1200mm x 3150mm Vertical Sliders

1620mm x 3600mm Balanced Vertical Sliders

1620mm x 3600mm Tilt In Balanced Vertical Sliders

An up-rated specification can be obtained upon application to accommodate larger sizes.

Weather Pile

Polypropylene draught strip to BS 7386.

Gasket

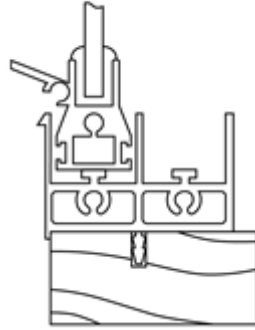
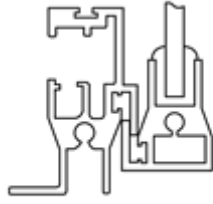
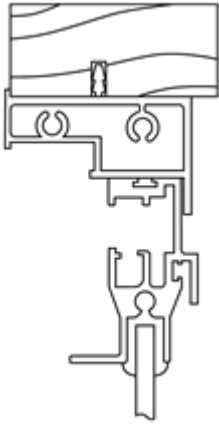
All gaskets extruded to BS 2782, standard colour white, black 4mm gasket also available.

Acoustics

Please contact for info.

Optional Extras

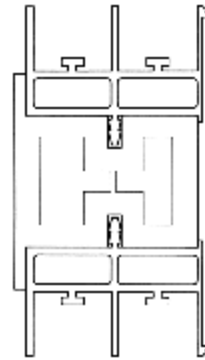
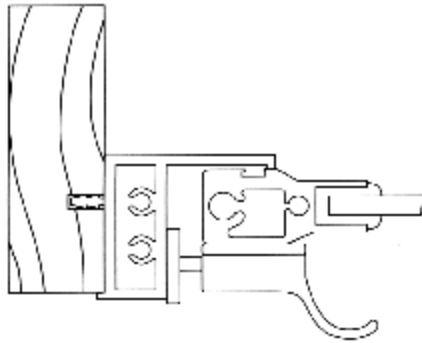
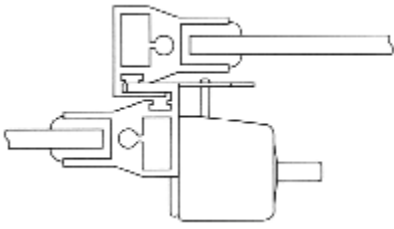
Chubb Locks, Fritch Lock, Restricted Opening Locks Arched Heads Gothic Heads, Stacking Units
Can be coupled with other products in our range using our extensive range of interlocks.



Elevations

Optional Locks

Coupling Section



Chubb

Carriage

Bay Section

Support

