

# LIFT OUT SECONDARY



## The Product

Economically, the Lift Out is the most cost effective type of secondary glazing available. Its most common application is where limited access to the primary window is required, for example a window which has been installed with the sole object of providing light to a room.

## How it works

As well as economical, the Lift Out is also the most basic form of secondary glazing. As its name implies, it simply lifts out of a secured channel. For practical purposes, it is advised that the sash size be considered since the weight of glass must be of manageable proportions. Each sash is manufactured with double brush pile seal, further increasing the thermal and sound insulation properties.

## Technical Specifications

### Hardwood Sub-Frames

#### SIZES

*21mm x 45mm Standard*  
*21mm x 62mm Reveal fix*  
*30mm x 30mm Bay Adaptor*

### Hardwood or PVCU Trims

#### SIZES

*6mm x 21mm S.B.N.*  
*6mm x 27mm S.B.N.*  
*6mm x 37mm S.B.N.*  
*6mm x 44mm S.B.N.*  
*6mm x 55mm S.B.N.*  
*6mm x 75mm S.B.N.*  
*6mm x 15mm D.B.N.*  
*6mm x 33mm D.B.N.*  
*6mm x 43mm D.B.N.*

## Aluminium

Aluminium alloy extruded to exclusive designs from 6063T6 alloy to BS1474.

## Finishes

Natural anodising to AA5 - BS3987 Polyester Powder to BS6496. Stock finishes in EP white / Van Dyke brown. High gloss finish. 60 microns. Other RAL colours upon request.

## Glazing

In accordance with BS6206 for Safety Glazing requirements. Choices of 4mm or 6mm Clear Float, 4mm or 6mm Toughened, 6.4mm Laminated or Laminated Acoustic Glass for Noise Reduction as well as Low E glass for Thermal Efficiency.

## Maximum Sizes

Width x Height

1250mm x 1500mm lift outs

An up-rated specification can be obtained upon application to accommodate larger sizes.

## Weather Pile

Polypropylene draught strip to BS7386.

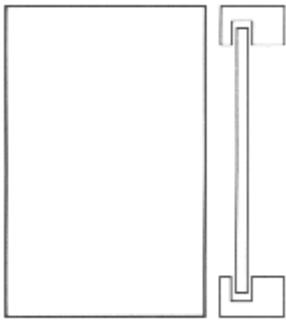
## Gasket

All gaskets extruded to BS2782, standard colour white, black 4mm gasket also available.

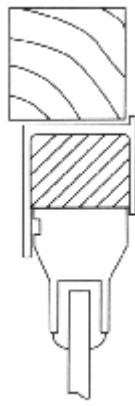
## Optional Extras

Arched Heads, Gothic Heads, Stacking Units

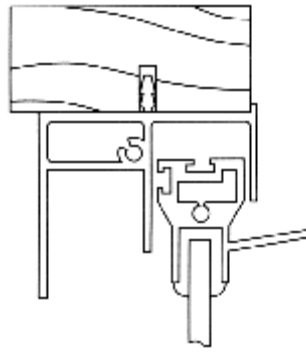
Can be coupled with other products in our range using our extensive range of interlocks.



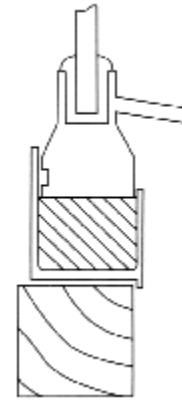
Single Lift-Out



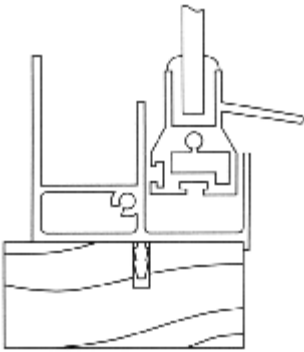
Slim-Line Lift-Out Elevation



Lift-Out Elevation

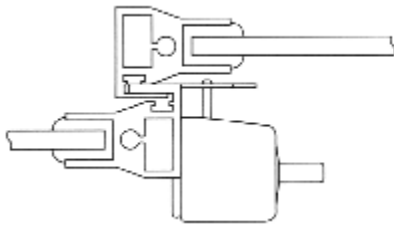


Slim-Line Lift-Out Elevation

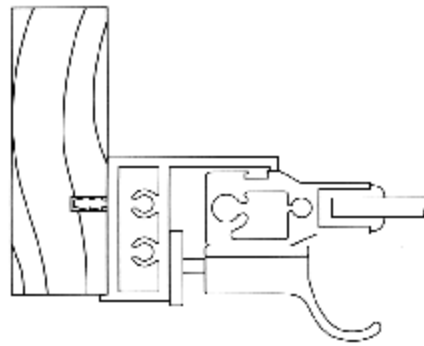


Lift-Out Elevation

**Optional Locks**

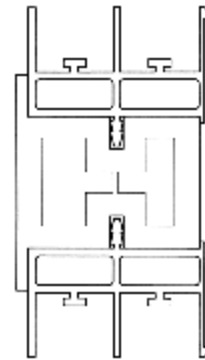


Chubb

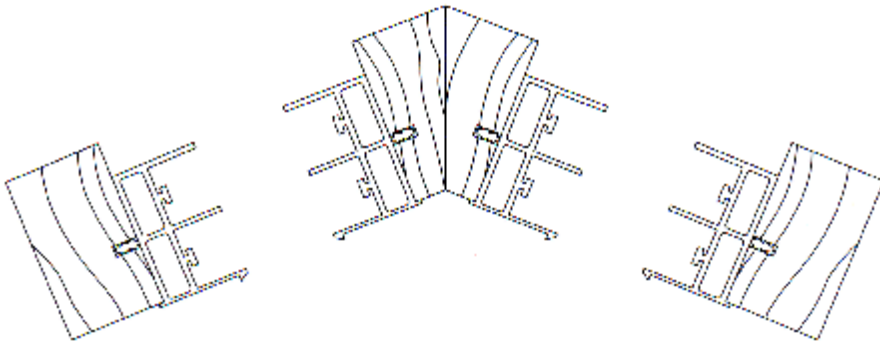


Carriage

**Coupling Section**



**Bay Section**



**Support**

