

HINGED SECONDARY

The Product

When it comes to providing an unobtrusive secondary glazing system, the hinged unit provides the most appropriate solution, since there are no transoms or mullions to spoil the view.

The reduction in noise, and improvement in thermal insulation, greatly enhances both the living and working environments.

How it works

The hinged unit can be manufactured in two main types. The single hinged unit opens on a restricting friction stay.

Where the application is on a larger scale, the friction stay is replaced with a butt hinge. We have developed and rigorously tested a variety of butt hinges for differing leaf weights.

The double hinged unit has been primarily designed to fit in front of larger Windows or French Doors, utilising the same range of hinges.



Technical Specifications

Hardwood Sub-Frames

SIZES

21mm x 45mm Standard
21mm x 62mm Reveal fix
30mm x 30mm Bay Adaptor

Hardwood or PVCU Trims

SIZES

6mm x 21mm S.B.N.
6mm x 27mm S.B.N.
6mm x 37mm S.B.N.
6mm x 44mm S.B.N.
6mm x 55mm S.B.N.
6mm x 75mm S.B.N.
6mm x 15mm D.B.N.
6mm x 33mm D.B.N.
6mm x 43mm D.B.N.

Aluminium

Aluminium alloy extruded to exclusive designs from 6063T6 alloy to BS1474.

Finishes

Natural anodising to AA5 - BS 3987 Polyester Powder to BS 6496. Stock finishes in EP white/Van Dyke brown. High gloss finish. 60 microns. Other RAL colours upon request.

Glazing

In accordance with BS 6206. Choices of 4mm or 6mm Clear Float, 4mm or 6mm Toughened, 6.4mm Laminated or Laminated Acoustic Glass for Noise Reduction as well as Low E glass for Thermal Efficiency.

Maximum Sizes

Width x Height with 4mm glass
1200mm x 2130mm side hung
1220mm x 2130mm top hung

An up rated specification can be obtained upon application to accommodate larger sizes.

Weather Pile

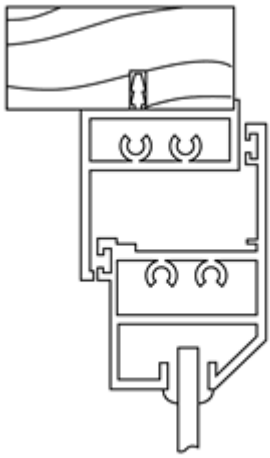
Polypropylene draught strip to BS 7386.

Gasket

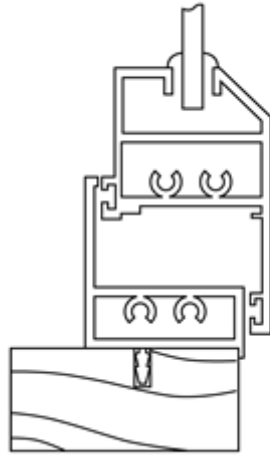
All gaskets extruded to BS 2782, standard colour white, black 4mm gasket also available.

Optional Extras

Carriage Lock, Budget Lock, Restricted Opening Locks, Arched Heads, Gothic Heads, Stacking Units
Can be coupled with other products in our range using our extensive range of interlocks.

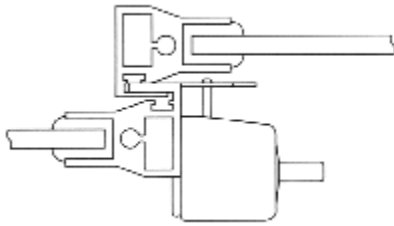


Hinged Unit elevation

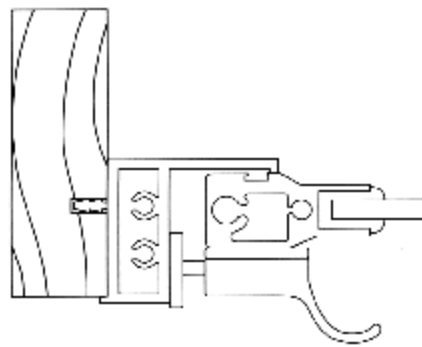


Hinged Unit elevation

Optional Locks

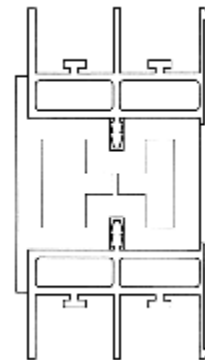


Chubb

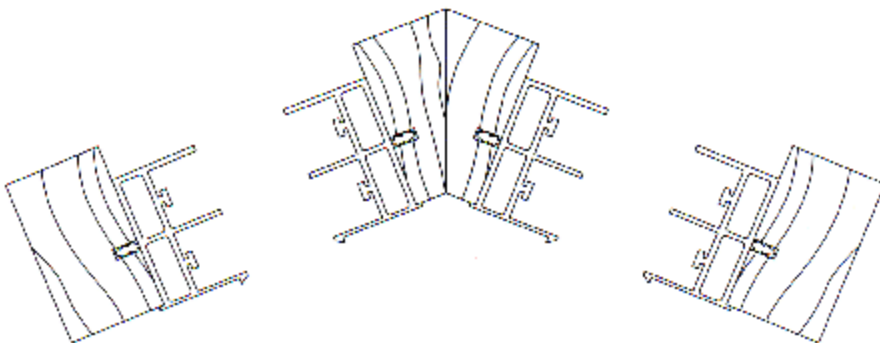


Carriage

Coupling Section



Bay Section



Support

